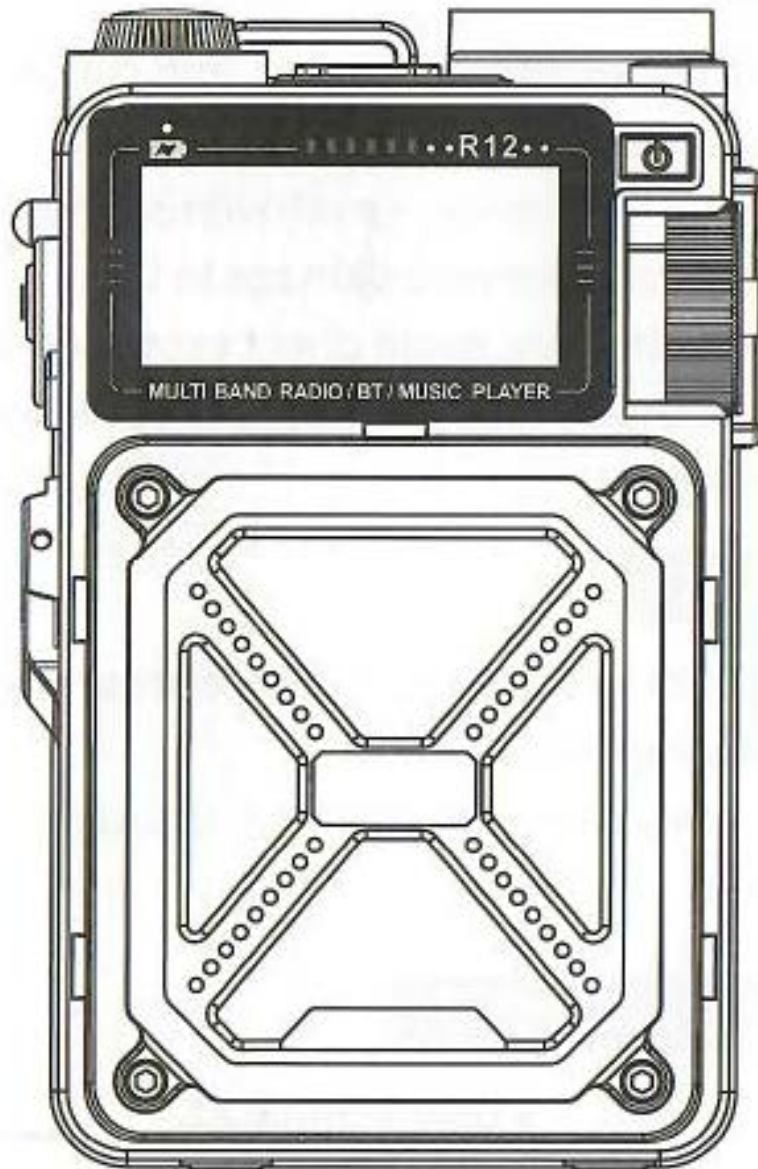
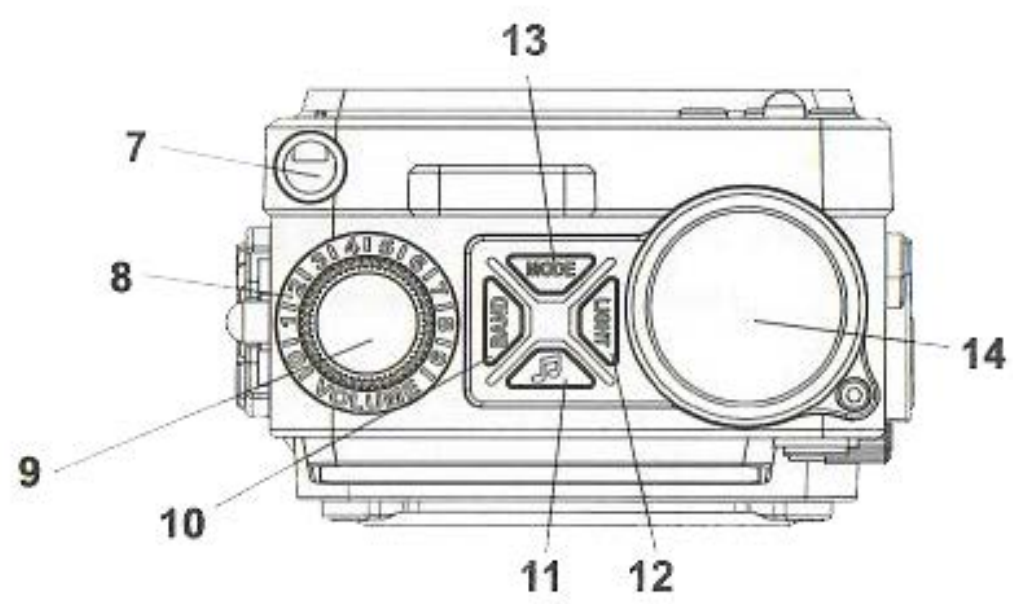
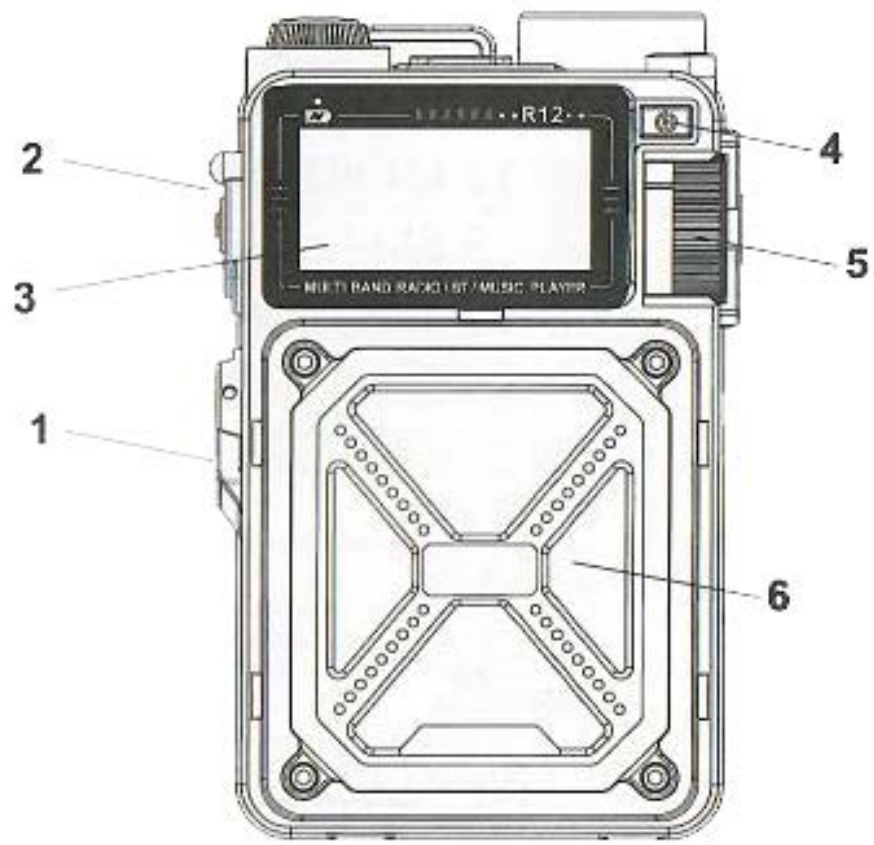


Portable Outdoor Radio



Kindly remind that the product has voltage protection, when the Type-C charging voltage exceeds 6V, the product will stop charging, please use 5V 1A/2A adapter for charging.

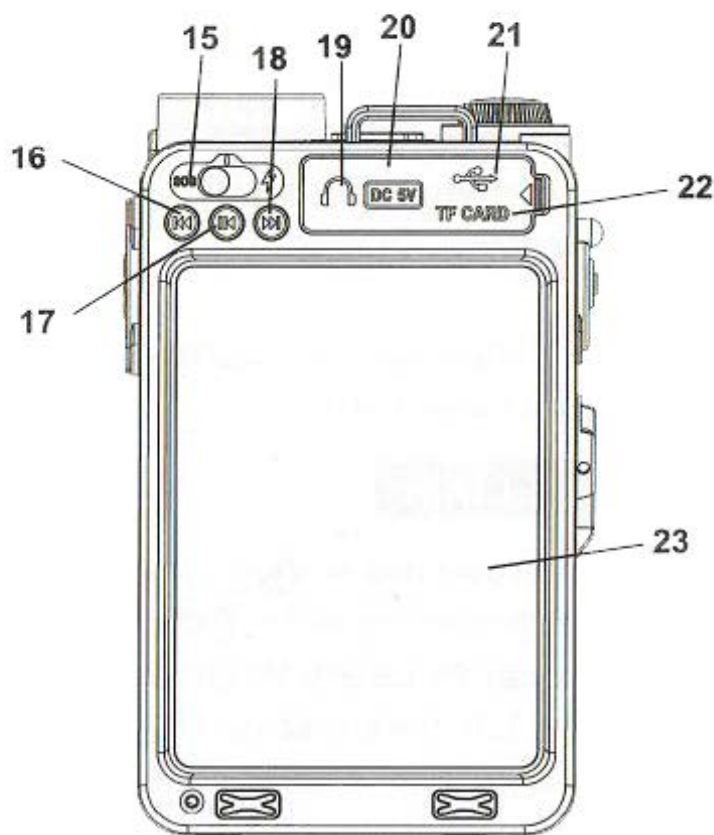
STRUCTURE DIAGRAM



1. Hand crank
2. Function switch
3. Display screen
4. Power switch
5. Tuning knob
6. Speaker
7. Antenna

8. Volume knob
9. Compass
10. BAND button
11. White noise button
12. LIGHT button
13. Sleep/Lock mode (MODE) button
14. Flashlight

15. SOS alert
16. Previous song button
17. Play/Pause button
18. Next song button
19. Earphone jack
20. USB port
21. Type-C charging port
22. TF (Micro SD) card slot
23. Solar panel



POWER SWITCH

1. Long press the " ⏻ " button to turn on the radio.
2. Long press the " ⏻ " button again to turn off the radio.

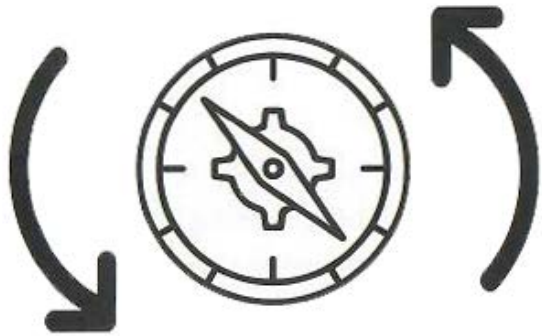
SLEEP MODE

1. After the product is turned on, short press the "MODE" button to set a timed shutdown. Each press increases the duration by 10 minutes, 10/20/30/40/50/60/70/80/90/OFF.
2. After the screen displays the time, no action will take effect within 3 seconds.

LOCKING MODE

1. In the power on state.
2. Lock: Long press the "MODE" button, and a key symbol will appear in the upper right corner of the screen, indicating that all buttons are locked (Except for Volume knob and Function switch) and cannot be operated.
3. Unlock: Long press the "MODE" button, and the key symbol in the upper right corner of the screen disappears, indicating that all buttons have been unlocked and can be operated.

VOLUME KNOB



The compass and the volume knob are integrated and the volume can be adjusted by turning the compass.

RADIO MODE

A. Manual Tuning Mode

1. Turn on the radio and adjust the "Function Switch" to "RADIO" to enter the manual tuning mode and you will hear a "Radio MODE" sound.
2. Press the "BAND" Button to select the FM/AM/SW/WB band.
3. Rotate the tuning knob to select a radio station.
4. Rotate the volume knob to adjust the volume level.

B. Digital Tuning Mode

1. Turn on the radio and adjust the "Function Switch" to "RADIO" to enter the manual tuning mode and you will hear a "Radio MODE" sound.
2. Press the "BAND" Button to select the FM/AM/SW/WB band.
3. Long press the "⏸/⏹" button to automatically search station, when the station receive a signal it will automatically stop searching.
4. Long press the "⏸" button to automatically search and store as preset stations.
5. Short press the "🎵" button to call out the preset stations, you can switch the preset stations by "⏸/⏹" button.

BLUETOOTH MODE

1. Turn on the radio and adjust the "Function Switch" to "BT" to enter the Bluetooth mode and you will hear a "Bluetooth mode" sound.

2. Turn on the Bluetooth mode of your device (e.g. mobile phone) and search for the name "R12" and press it to connect.
3. When the Bluetooth connection is successful, you will hear a "Bluetooth connected" sound. You could play music on your music player device. When the Bluetooth is disconnected you will hear a "Bluetooth Disconnect" sound.
4. Short press the "⏮️/⏭️" button switch the previous or next song. Press the "⏸️" button to play or pause the song.

NOTE:

1. The radius within 8-10 meters from the device can achieved optimal performance.
2. Before connecting your wireless Bluetooth device (such as a mobile phone) with this product, make sure it is disconnected from other receiving Bluetooth devices (such as speakers, wireless headphones, etc.).
3. If you can't search and connect to this product, try restarting Bluetooth of this product or your wireless Bluetooth device (such as a mobile phone).
4. This product can use as a Bluetooth receiver and connected to Bluetooth transmitting devices such as MP3 players and mobile phones.
5. Once paired successfully, both of the product Volume Knob and your device can control the volume level.

MICRO SD CARD/USB PLAYBACK

1. Turn on the radio and adjust the "Function Switch" to "M-PLAY" to enter the "M-PLAY mode". The screen displays "TF", the "TF" flash on the screen indicates that no data read.
2. Once insert Micro SD (TF) or USB can be played immediately, after successfully reading the data, the playing time of the song will be displayed on the screen.
3. Short press the "⏸️" can play/pause the song.
4. Short Press the "⏮️/⏭️" button to switch to previous or next song. When you switch songs, the song number will displayed on the screen. After the song number display on the screen for 3 seconds, the song playing time will display on the screen.

SOS ALERT FUNCTION

1. Please push the switch on the back of the product to "SOS" position. This will activate the "SOS" alert sound with the flashlight flashing.
2. Push the button back to the middle position to turn off this function.

CHARGING & DISCHARGING FUNCTION

A. Solar Charging

1. Put the solar panel directly towards sunlight. When the charging indicator lights turn red, it indicates that the solar panels are charging the internal battery.
2. The charging efficiency depends on the strength of sunlight. The stronger the sunlight, the better the charging effect.

B. Hand Crank Charging

1. Turn the hand crank clockwise or anti-clockwise and the red charging indicator will light up to indicate that it is charging.
2. Speaker has no sound: Hand crank at 130-150RPM for 1 minute, the flashlight can be used for more than 30+ minutes or play the radio (medium volume) for 3 minutes.

NOTE:

1. Please turn the hand crank 3-5 minutes to activate the internal battery before using the product.
2. The hand crank is normally used in emergency situations when the power is out.

C. Type-C Input

1. Open the dust cover on the back of the product. There is a Type-C charging port and a USB output port on the back.
2. Use the supplied Type-C charging cable to charge the radio, the charging indicator in the upper left corner of the screen will turn red and the battery symbol on the screen will flash while charging.
3. The device has over-voltage protection, when the voltage of the adapter exceeds 6V will automatically stop the charging.
4. Please shake the hand crank to activate the battery if the Type-C charging port has no response.

D. USB Output

1. Type-C charging port can output power and input power, external Input DC 5V power supply can be used to charge the device battery, use dual Type-C charging cable connected to cell phone can output DC 5V 1A.
2. Plug the charging cable (package includes) into the USB output port of the device and insert the other end into the charging port of your cell phone to charge your cell phone (Output DC 5V 1A).
3. If your iPhone has a Type-C plug, you can use this device Type-C output to charge your iPhone directly.

NOTE:

1. If your iPhone due to the agreement problem can not be charged by this device when this device is turned off, you can turn on the device to charge your iPhone.
2. When in Radio mode, the system will turn off the charging and discharging function because the radio will be interfered with current disturbance.

BATTERY INDICATOR

- The battery symbol on the screen indicates the power level.
- 3 level indicate power: $C > 85\%$
- 2 level indicate power: $50\% < C < 85\%$
- 1 level indicate power: $30\% < C < 50\%$
- Blank indicate power: $15\% < C < 30\%$
- Flash indicate power: $C < 15\%$

NOTE:

Low battery will affect normal use of the product, please charge it in time.

POWER PROTECTION

- When there is an overload or short circuit inside the product, the protection chip will cut off the power to prevent damage to the battery. When the battery voltage is below 3.3V, the protection chip will cut off the power to prevent over discharge and protect the battery from damage.

Frequency Range	FM 87-108MHz/AM 520-1710kHz SW 5.7-17.9MHz WB 162.400-162.550MHz
Bluetooth	5.4
White Noise	8 kinds of natural sound
Size	81x52x132mm/3.2x2x5.2in
Weight	about 352g/0.77lb
Maximum Power	about 14W
Operating Voltage	3.3V- 4.2V
Speaker	4Ω 5W (internal magnetic type)
LED Flashlight	1W/70LM
Battery Capacity	4000mAh / 3.7V
Type-C Charging	5V 2A(Fully charged 3-5 Hours)
Battery Life	> 3 years (daily average of 3 hours) /500 times cycle charging
Operating Temperature Range	-10℃ - +60℃
After fully charged, the device support (medium volume)	
BT/TF/USB Play	About 12 Hours
Flashlight	About 20 Hours

SAFETY PRECAUTIONS

1. For the first use the flashlight or if it has been unused for more than 60 days, it is necessary to shake the hand-crank for 1 minute before use or using the solar panel to charge the internal battery to reactive the battery.
2. Avoid strong impacts, dropping, and contact with corrosive liquids.
3. When using this device, avoid overuse the battery to extend its life and prevent damage to the rechargeable battery. Avoid direct exposure of the flashlight to the eyes as the intensity of the light can make eye injury.

WARRANTY

1. This product has a full 12-month warranty against manufacturing defects.
2. The warranty period begins from the date of purchase.

PACKAGE INCLUDES

- Radio x1
- User Manual x1
- Type-C Cable x1
- Packaging Box x1